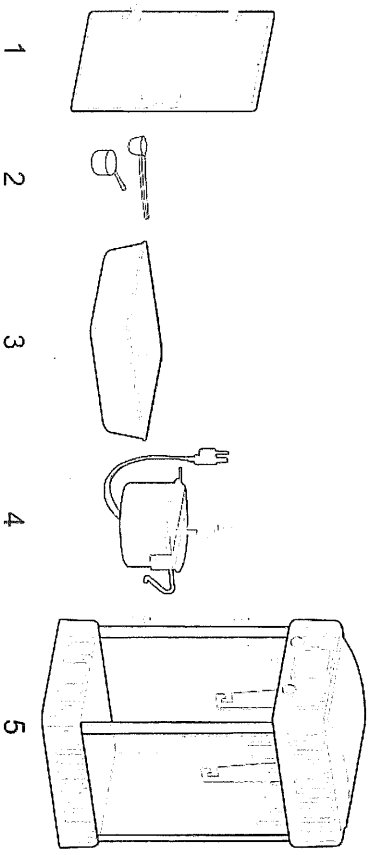


2.5oz CLASSIC POPCORN MAKER

SPECIFICATION:

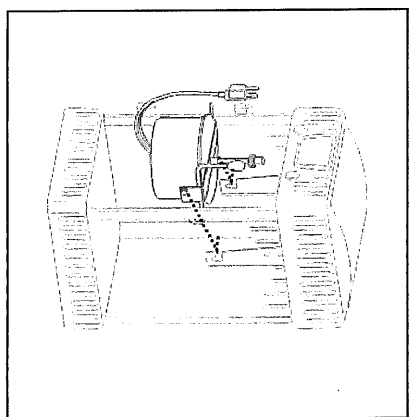
Model no.: UE40077
 Voltage: AC220-240V 50HZ
 Power: 300W

COMPONENTS

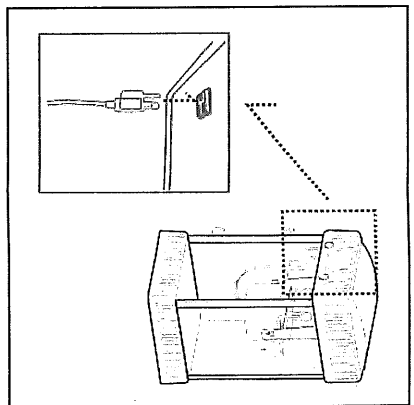


- 1. Door
- 2. Measuring Spoons
- 3. Removable tray
- 4. Kettle
- 5. Housing

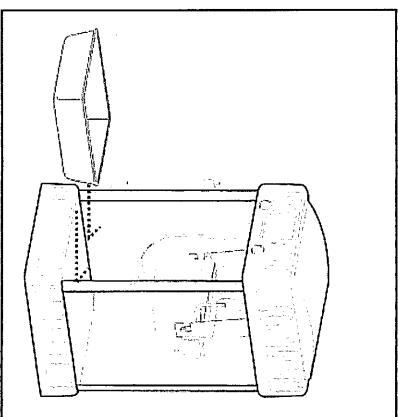
ASSEMBLING PROCEDURES



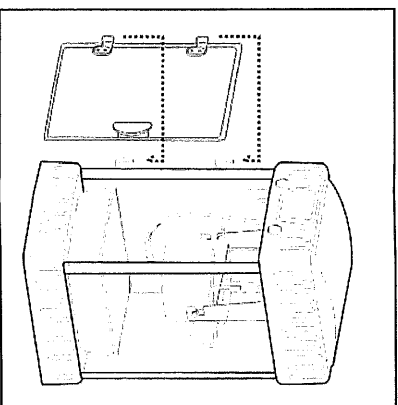
Step 1:
Hook the kettle onto the hanger of the main housing.



Step 2:
Insert the internal kettle plug into the socket on the inner top of the main housing.



Step 3:
Insert the removable tray.



Step 4:
Place the door on hinges.

POPPING INSTRUCTIONS

1. Follow assembly procedure.
2. Make sure the popcorn maker is unplugged before you do any of the following.
3. Before using the unit, please check carefully to be sure voltage (AC220-240V ~50Hz) is suitable to your home.
4. Clean the internal surface of the kettle with warm soapy water, rinse well and dry with clean cloth. Wipe down inner and outer housing with damp cloth.
5. Main unit has a 2-function switch as follows:



-LIGHT: to turn light on;



-POP: to turn motor & heater on.

6. Insert the internal plug into the socket.
7. Plug the power cord into an electric outlet.
8. Before pouring oil or kernels, lift lid up using the lid tab. Turn both LIGHT & POP switches to on position. The light, heater and motor will be on. Let the kettle preheat about 2 to 3 minutes. Turn the POP switch to off position and add oil (1 tablespoon of vegetable, corn, peanut, or safflower oil). Immediately add 1/3 cup of corn kernels (Note: 1/3 measuring cup included) and close lid to the kettle. Turn POP switch on again, stirrer will begin to rotate and heater will heat up the kettle. CAUTION: Lid might be hot – it is recommended to use an oven mitt.
9. Popcorn starts popping out through the lid after about 2 minutes.
10. When unit is finished popping – you will no longer heat the corn popping – immediately turn the POP switch to the off position and pull down the handle bar of the kettle to release any remaining popcorn in the popper. This will also stop the remaining popcorn from cooking any further and avoid possible burning.
11. Keep POP switch off if the unit is not continuously in use.
12. Remove plug from power supply if the unit is not being used.
13. Repeat step 8 to 10 for continuous popping.

CLEANING AND MAINTENANCE

It is strongly recommended to clean the kettle frequently to avoid burning excess oil onto the bottom of the inner pot. After using the popcorn machine, let it cool, and use a wet cloth to clean the main unit, main body and glass. It is strongly recommended to wash and dry the tray after each use to avoid any bacteria buildup. The light bulb is replaceable with an AC220-240V 10W bulb. Any other servicing should be performed by an authorized service representative.

QUICK CLEANING PROCEDURE

Turn the POP control to off. Pour 4 to 6 ounces of water (NO detergent is necessary) into inner pot. Switch to POP to boil the water and let the stirrer turn in order to remove excess oil stuck on the surface. After cooling. Pour out the water into a deep bowl and discard after about 1 to 2 minutes of boiling.

CAUTION: THE KETTLE IS HOT.

Or remove the kettle and clean it with a Scotch-Brite scouring pad (Not included). Do not immerse kettle or electrical plug in water.